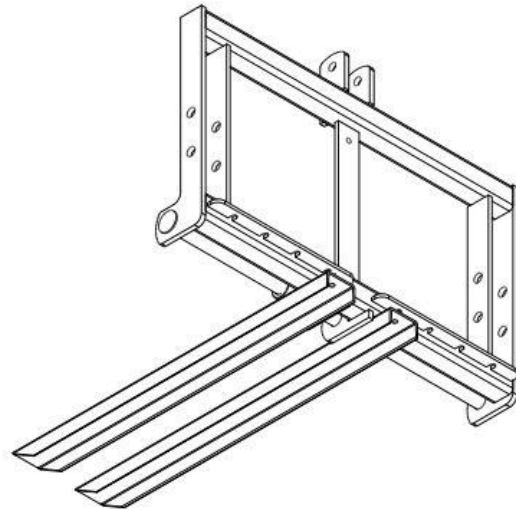
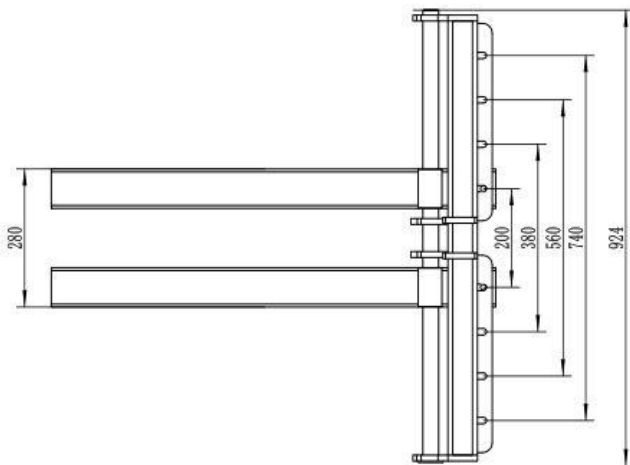
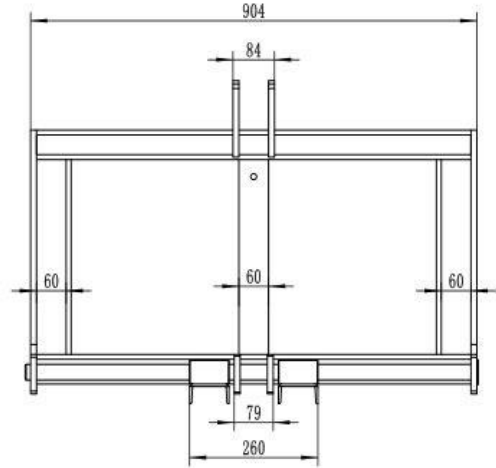
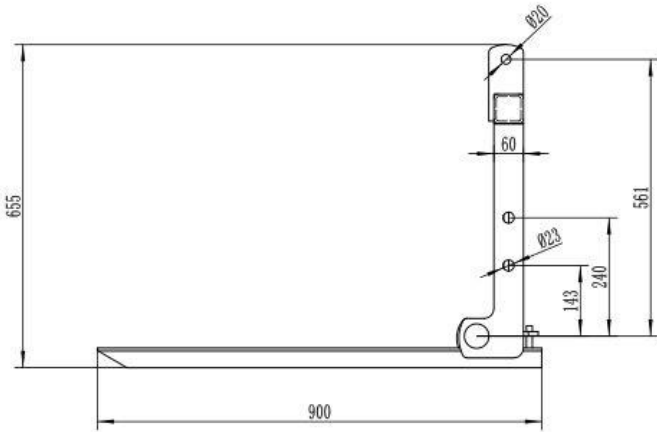


DATASHEET – DIMENSIONS



Weight:	120 kg
For tractors:	25-70 HP (18-51 kW)
Max. load:	600 kg
Fork length:	90 cm
Connection:	for three point hydraulics